

1
2
3
4
5
6
7
8
9
10
11
12
13
14
15
16
17
18
19
20
21

3GPP2 A.S0011-B
Version 1.0
Date: April 2004



**3RD GENERATION
PARTNERSHIP
PROJECT 2
"3GPP2"**

Interoperability Specification (IOS) for cdma2000 Access Network Interfaces — Part 1 Overview

(3G-IOSv4.3.1)

Table of Contents

1			
2			
3	1.0	Introduction	1
4	1.1	Overview	1
5	1.1.1	Purpose	1
6	1.1.2	Scope	2
7	1.2	References	3
8	1.2.1	TIA / EIA	3
9	1.2.2	3GPP2	4
10	1.2.3	Other.....	5
11	1.3	Terminology	5
12	1.3.1	Acronyms	5
13	1.3.2	Definitions	6
14	1.4	Organization	9
15	1.4.1	This Revision of the IOS	9
16	1.4.2	Overall IOS Specifications	9
17	1.5	Document Layout	10
18	1.6	Documentation Conventions	11
19	1.6.1	Procedural Descriptions	12
20	2.0	Interface Model	13
21	2.1	Reference Points A, A _{ter} , A _{quinter} , and A _{quater}	13
22	2.2	Interface Reference Model	13
23	3.0	Information Flows	15
24	4.0	MS Mobility for Packet Data Service.....	17
25			
26			
27			

List of Figures

1
2
3
4
5
6
7

Figure 1.6-1	Document Convention Example: Call Clear Initiated by MS	12
Figure 2.2-1	Reference Model for cdma2000 Access Network Interfaces.....	14
Figure 4-1	Levels of Packet Data Mobility	17

List of Tables

1
2
3
4
5

Table 1.4.2-1	IOS Cross References.....	10
---------------	---------------------------	----

Foreword

(This foreword is not part of this standard.)

This document was produced by Working Groups TR45.4 of the Telecommunications Industry Association and TSG-A of the Third Generation Partnership Project 2. This document was developed in accordance with TIA/EIA and 3GPP2 procedural guidelines, and represents the consensus position of the Working Groups.

The following table indicates which parts of the base document are modified by the incorporation of the addendum:

Base Document	Title	Addendum 1 Document	Notes
TIA-2001.1-C	Interoperability Specification (IOS) for cdma2000® Access Network Interfaces — Part 1 Overview	TIA-2001.1-C-1	Changes relative to the base document.
TIA-2001.2-C	Interoperability Specification (IOS) for cdma2000® Access Network Interfaces — Part 2 Transport	TIA-2001.2-C-1	No changes relative to the base document.
TIA-2001.3-C	Interoperability Specification (IOS) for cdma2000® Access Network Interfaces — Part 3 Features	TIA-2001.3-C-1	Changes relative to the base document.
TIA-2001.4-C	Interoperability Specification (IOS) for cdma2000® Access Network Interfaces — Part 4 (A1, A2, and A5 Interfaces)	TIA-2001.4-C-1	Changes relative to the base document.
TIA-2001.5-C	Interoperability Specification (IOS) for cdma2000® Access Network Interfaces — Part 5 (A3 and A7 Interfaces)	TIA-2001.5-C-1	Changes relative to the base document.
TIA-2001.6-C	Interoperability Specification (IOS) for cdma2000® Access Network Interfaces — Part 6 (A8 and A9 Interfaces)	TIA-2001.6-C-1	No changes relative to the base document.
TIA-2001.7-C	Interoperability Specification (IOS) for cdma2000® Access Network Interfaces — Part 7 (A10 and A11 Interfaces)	TIA-2001.7-C-1	Changes relative to the base document.

Suggestions for improvement of this standard are welcome. They should be sent to:
 Telecommunications Industry Association
 Engineering Department
 Suite 300
 250 Wilson Boulevard
 Arlington, VA 22201 USA

1.0 Introduction

1.1 Overview

This standard describes the overall system functions, including services and features required for interfacing a base station (BS) with the Mobile Switching Center (MSC), with other base stations, and with the Packet Control Function (PCF); and for interfacing the PCF with the Packet Data Service Node (PDSN).

This standard is intended to provide sufficient specification of a set of interfaces to support the interoperability of one vendor's equipment with that of another. Which interface(s) a vendor chooses to implement is dependent on business decisions, and is up to each vendor. However conformance to any given interface specified within this standard requires all of the messages and procedures for supported features on that interface to be supported as specified within this standard. Establishing standard interfaces allows the BS, PCF, PDSN, and MSC equipment to evolve independently and to be provided by multiple vendors.

1.1.1 Purpose

The purpose is to provide the standard for:

- interfacing an MSC with one or more BSs,
- interfacing a BS with one or more BSs,
- interfacing a PCF with one or more BSs,
- interfacing one or more PDSNs with one or more PCFs.

This document defines the functional capabilities, including services and features, of the specified interfaces. These services and features are the defining characteristics that are the basis for the overall system standard.

The MSC-BS interface provides telecommunications services access between a Mobile Switching Center and a base station. It specifically represents the demarcation point between the MSC and the BS which coincides with the Reference Point "A". This point establishes the technical interface and designates the test points and operational division of responsibility between the MSC and the BS. The MSC and BS interface is defined as the A1/A2/A5 interface shown in Figure 2.2-1, Reference Model for cdma2000 Access Network Interfaces.

This standard fulfills the following criteria:

- supports current [1]~[6], [7] and [10] air interfaces;
- makes maximum use of existing standards from the TIA and other sources;
- promotes reliability enhancement, technical innovation, network product availability, and economic competition;
- allows connection of various manufacturers' BSs to the same MSC;
- supports future MSC and BS implementations;
- allows the separate evolution of MSC and BS technology.

1 The source BS - target BS interface provides for inter-BS soft/softer handoffs. It
 2 specifically represents the demarcation point between two base stations which coincides
 3 with the Reference Point "A_{ter}". This point establishes the technical interface and
 4 designates the test points and operational division of responsibility between the source
 5 BS and target BS. The source BS and target BS interface is defined as the A3/A7
 6 interface shown in Figure 2.2-1, "Reference Model for cdma2000 Access Network Inter-
 7 faces".

8 The BS-PCF interface provides access between the base station and the Packet Control
 9 Function for high speed packet data services. It specifically represents the demarcation
 10 point between the BS and the PCF which coincides with the Reference Point "A_{quinter}".
 11 This point establishes the technical interface and designates the test points and
 12 operational division of responsibility between the BS and the PCF. The BS-PCF interface
 13 is defined as the A8/A9 interface shown in Figure 2.2-1, "Reference Model for cdma2000
 14 Access Network Interfaces".

15 The PCF-PDSN interface provides access between a Packet Control Function and a
 16 Packet Data Serving Node for high speed packet data services. It specifically represents
 17 the demarcation point between the PCF and the PDSN which coincides with the
 18 Reference Point "A_{quater}". This point establishes the technical interface and designates
 19 the test points and operational division of responsibility between the PCF and the PDSN.
 20 The PCF-PDSN interface is defined as the A10/A11 interface shown in Figure 2.2-1,
 21 "Reference Model for cdma2000 Access Network Interfaces".

22 The PCF-PDSN interface definition fulfills the following criteria:

- 23 • allows connection of various manufacturers' PCFs to the same PDSN and vice versa;
- 24 • makes maximum use of existing standards from the Internet Engineering Task Force
 25 (IETF) and other sources;
- 26 • promotes quality of service and accounting information exchange between the PCFs
 27 and the PDSNs;
- 28 • promotes reliability enhancement, technical innovation, network product availability,
 29 and economic competition;
- 30 • supports future PCF and PDSN implementations;
- 31 • allows the separate evolution of PCF and PDSN technologies.

32 1.1.2 Scope

33 This standard provides the specification for the interfaces which coincide with the
 34 Reference Points "A", "A_{ter}", "A_{quater}", and "A_{quinter}" defined in the TR45 Network
 35 Reference Model shown in [18].

36 The scope of this standard includes the following topics:

- 37 • MSC-BS and BS-BS interfaces:
 - 38 – descriptions of the specified functional capabilities that provide wireless
 39 telecommunications services across the MSC-BS and BS-BS interfaces as
 40 defined in the TR45 Network Reference Model;
 - 41 – descriptions of the division of responsibility of the functions provided between
 42 the BS and the MSC, and between the source BS and the target BS, without
 43 prescribing specific implementations;

- descriptions of the MSC-BS interface and the BS-BS interface standards that support DS-41 and cdma2000^{®1} systems.
- BS-PCF interfaces:
 - descriptions of the specified functional capabilities that provide packet data services across the BS-PCF interface;
 - descriptions of the division of responsibility of the functions provided between the BS and the PCF without prescribing specific implementations.
- PCF-PDSN interfaces:
 - descriptions of the specified functional capabilities that provide packet data services across the PCF-PDSN interface;
 - descriptions of the division of responsibility of the functions provided between the PCF and the PDSN without prescribing specific implementations.

The interfaces defined in this standard are specified by a set of characteristics, including:

- physical and electromagnetic parameters;
- channel structures;
- message types and contents;
- network operating procedures;
- user data framing and transport.

1.2 References

1.2.1 TIA / EIA

For ease of cross referencing, the Telecommunications Industry Association (TIA) / Electronics Industry Association (EIA) references provided in this section are aligned with the 3GPP2 references provided in section 1.2.2. For consistency within IOS parts, the most commonly referenced documents [1]~[17] shall be the same as they appear here in this part, or left as “Reserved” if not used in a particular IOS part.

- [1] TIA/EIA/IS-2000.1-C, *Introduction to cdma2000 Standards for Spread Spectrum Systems*, May 2002.
- [2] TIA/EIA/IS-2000.2-C, *Physical Layer Standard for cdma2000 Spread Spectrum Systems*, May 2002.
- [3] TIA/EIA/IS-2000.3-C, *Medium Access Control (MAC) Standard for cdma2000 Spread Spectrum Systems*, May 2002.
- [4] TIA/EIA/IS-2000.4-C, *Signaling Link Access Control (LAC) Standard for cdma2000 Spread Spectrum Systems*, May 2002.
- [5] TIA/EIA/IS-2000.5-C, *Upper Layer (Layer 3) Signaling Standard for cdma2000 Spread Spectrum Systems*, May 2002.
- [6] TIA/EIA/IS-2000.6-C, *Analog Signaling Standard for cdma2000 Spread Spectrum Systems*, May 2002.

¹ cdma2000[®] is the trademark for the technical nomenclature for certain specifications and standards of the Organizational Partners (OPs) of 3GPP2. Geographically (and as of the date of publication), cdma2000[®] is a registered trademark of the Telecommunications Industry Association (TIA-USA) in the United States.

- 1 [7] TIA/EIA/IS-834, *G3G CDMA-DS to ANSI/TIA/EIA-41*, March 2000.
2 [8] TIA/EIA/IS-835-C, *cdma2000 Wireless IP Network Standard*, to be published.
3 [9] TIA/EIA-41-D, *Cellular Radiotelecommunications Intersystem Operations*;
4 December 1997.
5 [10] TIA/EIA-95-B, *Mobile Station - Base Station Compatibility Standard for*
6 *Wideband Spread Spectrum Cellular Systems*, March 1999.
7 [11] TIA-2001.1-C-1, *Interoperability Specification (IOS) for cdma2000 Access*
8 *Network Interfaces – Part 1 Overview*, December 2003.
9 [12] TIA-2001.2-C-1, *Interoperability Specification (IOS) for cdma2000 Access*
10 *Network Interfaces – Part 2 Transport*, December 2003.
11 [13] TIA-2001.3-C-1, *Interoperability Specification (IOS) for cdma2000 Access*
12 *Network Interfaces – Part 3 Features*, December 2003.
13 [14] TIA-2001.4-C-1, *Interoperability Specification (IOS) for cdma2000 Access*
14 *Network Interfaces – Part 4 (A1, A2, and A5 Interfaces)*, December 2003.
15 [15] TIA-2001.5-C-1, *Interoperability Specification (IOS) for cdma2000 Access*
16 *Network Interfaces – Part 5 (A3 and A7 Interfaces)*, December 2003.
17 [16] TIA-2001.6-C-1, *Interoperability Specification (IOS) for cdma2000 Access*
18 *Network Interfaces – Part 6 (A8 and A9 Interfaces)*, December 2003.
19 [17] TIA-2001.7-C-1, *Interoperability Specification (IOS) for cdma2000 Access*
20 *Network Interfaces – Part 7 (A10 and A11 Interfaces)*, December 2003.
21 [18] TIA/EIA/TSB100-A, *Wireless Network Reference Model*, March 2001.

22 1.2.2 3GPP2

23 The 3GPP2 references are aligned with the TIA/EIA references of section 1.2.1 and are
24 provided here for information and cross reference purposes.

- 25 [1] 3GPP2 C.S0001-C, *Introduction to cdma2000 Standards for Spread Spectrum*
26 *Systems*, May 2002.
27 [2] 3GPP2 C.S0002-C, *Physical Layer Standard for cdma2000 Spread Spectrum*
28 *Systems*, May 2002.
29 [3] 3GPP2 C.S0003-C, *Medium Access Control (MAC) Standard for cdma2000*
30 *Spread Spectrum Systems*, May 2002.
31 [4] 3GPP2 C.S0004-C, *Signaling Link Access Control (LAC) Standard for*
32 *cdma2000 Spread Spectrum Systems*, May 2002.
33 [5] 3GPP2 C.S0005-C, *Upper Layer (Layer 3) Signaling Standard for cdma2000*
34 *Spread Spectrum Systems*, May 2002.
35 [6] 3GPP2 C.S0006-C, *Analog Signaling Standard for cdma2000 Spread Spectrum*
36 *Systems*, May 2002.
37 [7] 3GPP2 C.S0007-0, *Direct Spread Specification for Spread Spectrum Systems on*
38 *ANSI-41 (DS-41) (Upper Layers Air Interface)*, June 2000.
39 [8] 3GPP2 X.S0011-C, *Wireless IP Network Standard*, six parts, September 2003.
40 [9-10] Reserved.
41 [11] 3GPP2 A.S0011-B, *Interoperability Specification (IOS) for cdma2000 Access*
42 *Network Interfaces – Part 1 Overview*, April 2004.
43 [12] 3GPP2 A.S0012-B, *Interoperability Specification (IOS) for cdma2000 Access*
44 *Network Interfaces – Part 2 Transport*, April 2004.
45 [13] 3GPP2 A.S0013-B, *Interoperability Specification (IOS) for cdma2000 Access*
46 *Network Interfaces – Part 3 Features*, April 2004.
47 [14] 3GPP2 A.S0014-B, *Interoperability Specification (IOS) for cdma2000 Access*
48 *Network Interfaces – Part 4 (A1, A2, and A5 Interfaces)*, April 2004.
49 [15] 3GPP2 A.S0015-B, *Interoperability Specification (IOS) for cdma2000 Access*
50 *Network Interfaces – Part 5 (A3 and A7 Interfaces)*, April 2004.
51 [16] 3GPP2 A.S0016-B, *Interoperability Specification (IOS) for cdma2000 Access*
52 *Network Interfaces – Part 6 (A8 and A9 Interfaces)*, April 2004.

- 1 [17] 3GPP2 A.S0017-B, *Interoperability Specification (IOS) for cdma2000 Access*
 2 *Network Interfaces – Part 7 (A10 and A11 Interfaces)*, April 2004.
 3 [18] 3GPP2 S.R0005-B, *Network Reference Model for cdma2000 Spread Spectrum*
 4 *Systems*, April 2001.

5 **1.2.3 Other**

- 6 [19] Internet Engineering Task Force, *RFC 2002 – IP Mobility Support Specification*,
 7 1996.
 8
 9

10 **1.3 Terminology**

11 **1.3.1 Acronyms**

12 Acronym	Meaning
13 3GPP	Third Generation Partnership Project
3GPP2	Third Generation Partnership Project 2
ANSI	American National Standards Institute
BS	Base Station
BSC	Base Station Controller
BTS	Base Transceiver System
CDMA	Code Division Multiple Access
DS-41	Direct Spread (ANSI)-41
EHDM	Extended Handoff Direction Message
EIA	Electronics Industry Association
FA	Foreign Agent
F-PDCH	Forward Packet Data Channel
GHDM	General Handoff Direction Message
HLR	Home Location Register
IETF	Internet Engineering Task Force
IOS	Interoperability Specification
IP	Internet Protocol
IS	Interim Standard
ISDN	Integrated Services Digital Network
IWF	Interworking Function
kbps	kilobits per second
MIP	Mobile Internet Protocol
MS	Mobile Station
MSC	Mobile Switching Center
MTSO	Mobile Telephone Switching Office

Acronym	Meaning
NRM	Network Reference Model
PCF	Packet Control Function
PCM	Pulse Code Modulation
PDSN	Packet Data Serving Node
PLCM	Public Long Code Mask
PSTN	Public Switched Telephone Network
RLP	Radio Link Protocol
SDU	Selection/Distribution Unit
TIA	Telecommunications Industry Association
TSB	Telecommunications Systems Bulletin
UDI	Unrestricted Digital Information
UMTS	Universal Mobile Telecommunication System
UHDM	Universal Handoff Direction Message

1

2 **1.3.2 Definitions**

3 **Base Station.** An entity in the public radio telecommunications system used for radio
4 telecommunications with MSs.

5 **Base Station Controller.** The control portion of the base station that includes call control
6 logic and interconnections to the MSC, the BTSs that are part of the BS, other BSCs, and
7 BTSs of neighboring BSs for purposes of soft/softer handoff.

8 **Base Transceiver Station.** A component of a base station that includes radio equipment.
9 A BTS is sometimes equated with the physical cell site of a wireless network.

10 **Bearer Connection.** A connection intended to provide a path for user traffic.

11 **Call Association.** The totality of the active communication between the MS and the
12 network, including all signaling and transfer of user information.

13 **Cell.** The unit of a base station having the ability to radiate in a given geographic area. In
14 this standard, a Cell ID refers to a particular cell and sector.

15 **DS-41.** An operational mode in which the BS and MS operate with the direct spread (DS)
16 radio layers of the UMTS system defined by 3GPP, and the upper layers defined in
17 [1]~[6] that conform to and interoperate with ANSI-41 based networks [9].

18 **Dormant Handoff:** A handoff that occurs when an MS with a dormant packet session
19 determines that it has crossed a packet zone boundary. Dormant handoff results in A10
20 connection(s) being established between the target PCF and the target PDSN. A dormant
21 handoff may require exchange of higher layer protocol messages between the MS and the
22 PDSN, and thus, reactivation of the packet data session. Note that no air interface
23 channels are handed off or re-configured as the result of a dormant handoff.

24 **Fast Handoff:** Fast handoff is a particular type of hard handoff that applies only to
25 packet data sessions. Fast handoff allows the target PDSN to connect to an anchor PDSN

1 where the packet data session was first established, eliminating the need to re-establish a
 2 PPP session while the packet data session is active. Fast handoff allows for early
 3 establishment of the A10 connections on the target side.

4 **Handoff.** Handoff is the process by which an air interface circuit between an MS and a
 5 base station is transferred from the current base station equipment and air interface
 6 channel to either a different base station equipment and air interface channel or a
 7 different air interface channel on the current base station equipment. Handoffs are an IOS
 8 consideration insofar as user traffic and signaling paths through the RAN need to be
 9 established, modified or released, information needs to be exchanged between the source
 10 and target BSs, and air interface changes may need to be signaled to the core network.
 11 Refer also to [13], section 3.19, for specific handoff considerations. The following types
 12 of handoffs are supported:

- 13 1. **Hard Handoff:** A handoff characterized by a temporary disconnection of the Traffic
 14 Channel. Hard handoffs occur when the MS is transferred between disjoint Active
 15 Sets, when the CDMA Frequency Assignment changes, when the frame offset
 16 changes, or when the MS is directed from a CDMA Traffic Channel to an analog
 17 voice channel. For the IOS, a change in Selection Distribution Unit (SDU) across
 18 BSs is considered to be a hard handoff.
- 19 2. **Soft Handoff:** A handoff occurring while the MS is in the Mobile Station Control on
 20 the Traffic Channel State. This handoff is characterized by commencing
 21 communications with a new BTS on the same CDMA Frequency Assignment
 22 without terminating communications with an old BTS. For IOS considerations, the
 23 same SDU function is used before and after the handoff is performed.
- 24 3. **Soft Handoff with Pre-Selection:** The configuration achieved when a BS internally
 25 splits a single forward flow of coded user information from the frame selector to
 26 send it to two or more cells controlled by that BS. In the reverse direction, the BS
 27 joins the flows of coded user information frames from those cells, selects the best
 28 quality frame (preselection), and forwards only that selected frame to the frame
 29 selector.
- 30 4. **Softer Handoff:** A handoff involving two or more traffic channels on a call such that
 31 in the forward direction the BS splits a single flow of traffic channel frames into two
 32 or more forward flows to be sent to the MS with the power control combined bit set
 33 to indicate that the same reverse power control information is to be used. In the
 34 reverse direction the BS combines the traffic channel frames that are received from
 35 two or more cells/sectors and forms a single reverse flow from this combination.

36 **Interworking Function.** The Interworking Function (IWF), used in the context of this
 37 standard, provides a translation of the user traffic on a circuit data call between the fixed
 38 network and the air interface.

39 **Logical Channel.** A logical path that can carry signaling, user traffic, or a combination
 40 of the two between two entities such as the network and the MS. A logical channel can be
 41 instantiated over one or more physical channels. Logical channels may also share
 42 physical channels.

43 **Mobile Station.** An entity in the (cdma2000) public cellular radio telecommunications
 44 service intended to be used while in motion or during halts at unspecified points. Mobile
 45 stations include portable units (e.g., hand-held personal units) and units installed in
 46 vehicles.

47 **Mobile Switching Center.** The MSC switches MS-originated or MS-terminated traffic.
 48 An MSC connects to one or more base stations. It may connect to other public networks
 49 (PSTN, ISDN, etc.), other MSCs in the same network, or MSCs in different networks. (It

has been referred to as Mobile Telephone Switching Office, MTSO.) It provides the interface for user traffic between the wireless network and other public switched networks, or other MSCs.

Packet Control Function. An entity in the radio access network that manages the relay of packets between the BS and the PDSN.

Packet Data Session. The set of one or more packet data service instances in use at any time at the RAN/PDSN. A packet data session starts when the first service instance transitions out of the Null/Inactive State, and ends when the last service instance transitions to the Null/Inactive State.

Packet Data Serving Node. An entity that routes MS originated or MS terminated packet data traffic. A PDSN establishes, maintains and terminates link layer sessions to MSs.

Physical Channel. A physical path between the SDU function and the MS that consists of any connecting A3 traffic channel(s) and radio channel(s). Depending on the radio technology in use, a physical channel may be in soft handoff between the MS and the SDU function.

SDU Function. The SDU function (Selection/Distribution Unit function) includes the following functions:

- **Traffic Handler:** This function exchanges traffic bits with the associated vocoder or CDMA Radio Link Protocol (RLP) function, or is directly connected to the A5 interface.
- **Signaling Layer 2:** This function performs the layer 2 functionality of the air interface signaling protocol and is responsible for the reliable delivery of layer 3 signaling messages between the base station and the MS. This functionality may be in the BTS in some situations.
- **Multiplex Sublayer:** This function multiplexes and demultiplexes user traffic and signaling traffic for the air interface.
- **Power Control:** This function administers parts of the forward and reverse link power control in a CDMA system. This function and the channel elements provide power control functionality. This function generates or utilizes the power control information in whole or in part that is exchanged over the air interface or with the channel elements.
- **Frame Selection/Distribution:** This function is responsible for selecting the “best” incoming air interface reverse link frame from the channel elements involved in the soft handoff. It also distributes forward air interface frames to all channel elements involved in a call.
- **Backhaul Frame Handler:** This function demultiplexes the control information and the air interface reverse frame from the frame received over the backhaul network. It also multiplexes the control information and the air interface frames in the forward direction.
- **External Frame Handler:** This function exchanges backhaul frames with channel elements which are remote from the Selector.
- **Intra-BS Frame Handler:** This function exchanges backhaul frames with channel elements involved in intra-BS soft handoff.
- **Control:** This function provides control functions.

Sector. A face of a of physical radio equipment implementation.

1 **Signaling Connection.** A connection intended to provide a path for signaling traffic.

2 **Source Base Station.** The BS that is in control of the call.

3 **Target Base Station.** Any BS that supports the call other than the source BS.

4 **1.4 Organization**

5 This section outlines the relationship of the current specification with neighboring
6 elements (air interface, packet data network and the core network) as well as with older
7 versions of the IOS itself. The cross reference of IOS specifications in section 1.4.2 is
8 provided for information and is not intended to indicate additional requirements for the
9 IOS.

10 **1.4.1 This Revision of the IOS**

11 This revision of the IOS specification describes the protocol necessary to provide to
12 wireless radio telephone subscribers certain services requiring interaction between the
13 Mobile Switching Center (MSC), the Packet Control Function (PCF), the Packet Data
14 Service Node (PDSN), and the base station (BS), and is based on interoperation with the
15 cdma2000 air interface [1]~[6], the wireless IP network [8] and the ANSI-41 core
16 network [9].

17 **1.4.2 Overall IOS Specifications**

18 When addressing previous revisions of the Interoperability Specification, this revision of
19 the specification uses a common (historical) identifier, IOS v x.y.z, which can be cross
20 referenced as shown in Table 1.4.2-1.

21

1

Table 1.4.2-1 IOS Cross References

Common²	CDG	3GPP2	TIA	Air Interface³
-	-	-	IS-634 December 1995	IS-95 July 1993
-	-	-	IS-634-A July 1998	IS-95-A May 1995
-	-	-	IS-634-B April 1999	TIA/EIA-95-B March 1999
IOS v2.0.1	IOS v2.0.1 Dec 1998	-	-	-
IOS v2.2	IOS v2.2 June 1999	-	-	-
IOS v2.3	IOS v2.3 Feb 2000	-	-	-
IOS v2.4	IOS v2.4 March 2000	-	-	-
IOS v3.0	IOS v3.0 Nov 1998	-	-	-
IOS v3.1.1	IOS v3.1.1 Aug 1999	-	-	-
IOS v3.2	IOS v3.2 March 2001	-	-	-
IOS v4.0	-	A.S0001 v0.1 June 2000	IS-2001 December 2000	IS-2000 August 2001
IOS v4.1	-	A.S0001-A v2.0 June 2001	IS-2001-A August 2001	IS-2000-A April 2002
IOS v4.2	-	A.S0011~17 v2.0 May 2002	TIA-2001-B May 2002	TIA-2000-B May 2002
IOS v4.3	-	A.S0011~17-A v2.0 July 2003	TIA-2001-C July 2003	TIA-2000-B May 2002
IOS v4.3.1	-	A.S0011~17 B v1.0 April 2004	TIA-2001-C-1 December 2003	TIA-2000-C May 2002

2

1.5 Document Layout

3

4 The Interoperability Specification is organized into seven parts, each published in a
5 separate document:

6	Overview	general overview, published in [11]
7	Transport	protocol definitions and transport requirements, published in [12]
8	Features	descriptions of features, published in [13]
9	A1/A2/A5 Interfaces	definition of the A1/A2/A5 interfaces, published in [14]
10	A3/A7 Interfaces	definition of the A3/A7 interfaces, published in [15]
11	A8/A9 Interfaces	definition of the A8/A9 interfaces, published in [16]

2 The Common identifier aligns with numbering used in the Software Version Information Element.

3 The relationship between air interface and IOS releases is provided for information and is not intended to be an absolute indication of features supported by an IOS release.

A10/A11 Interfaces definition of the A10/A11 interfaces, published in [17]

The interface documents define the individual interfaces – this includes message procedures, message bitmaps, information element definitions, and the definitions of timers that are related to the interface. Note that some information elements are used on multiple interfaces; in this situation, the information element is defined in each of the associated interface documents. Changes to the definition of an information element in one interface document do not imply changes to its definition in other interface documents. However, insofar as possible, the same Information Element Identifier shall be used in all definitions of the same information element.

The Features document provides descriptions of the features supported in the IOS and Stage 2 text (e.g. call flows) for these features, which interfaces are used, which messages are used, and how the feature is implemented using these messages.

1.6 Documentation Conventions

“Shall” and “shall not” identify requirements to be followed strictly to conform to the standard and from which no deviation is permitted. “Should” and “should not” indicate that one of several possibilities is recommended as particularly suitable, without mentioning or excluding others; that a certain course of action is preferred but not necessarily required; or (in the negative form) that a certain possibility or course of action is discouraged but not prohibited. “May” and “need not” indicate a course of action permissible within the limits of the standard. “Can” and “cannot” are used for statements of possibility and capability, whether material, physical, or causal.

The scenarios and examples in this specification are not meant to be exhaustive, but are only used to help explain some of the important procedures of the protocol.

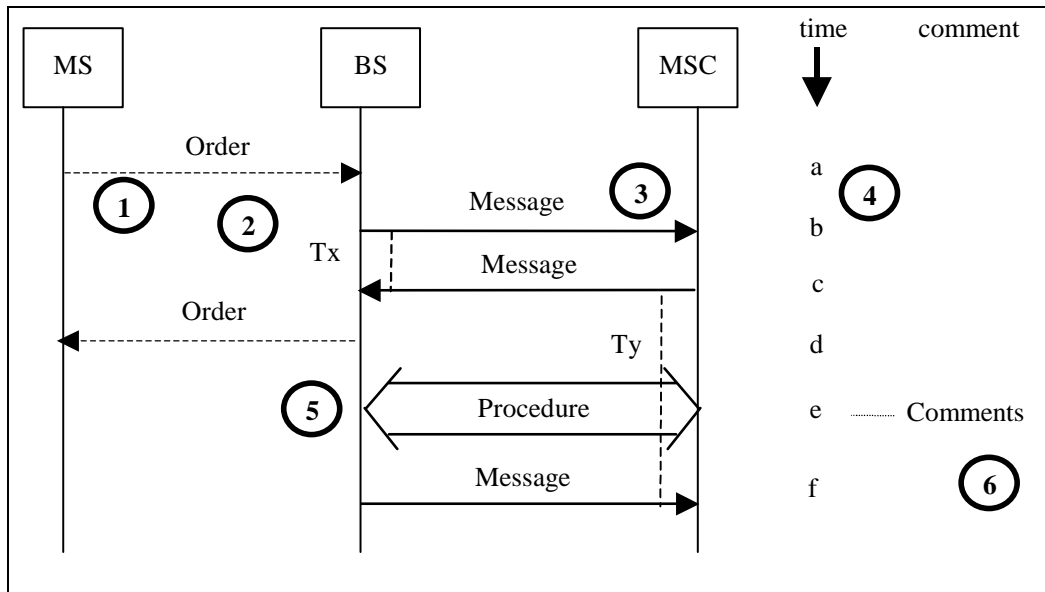
Figure 1.6-1 is provided as an example of the call flow conventions used in this specification.

Several points within the diagram are worthy of note. The circled numbers in the following figure correspond to the numbered items below.

1. Horizontal dotted lines are used to indicate messaging that is not part of defined interfaces specified in this specification. Not all air interface messages are shown, and names may be generic. For example, the phrase “handoff direction message” is meant to include Extended Handoff Direction Message (EHDM), General Handoff Direction Message (GHDM), and Universal Handoff Direction Message (UHDM).
2. Vertical dotted lines between messages are used to indicate the span of timers. The timer name is placed as close as possible to the line. Timer names begin with a capital “T” followed by digits or alphabetic characters. If a timer expires prior to reception of a message that stops the timer, the expiration is shown with an ‘x’ at the end of the vertical dotted line.
3. Horizontal solid lines are used to indicate messaging that is part of the interfaces specified in this standard.
4. Lower case letters are associated with individual messaging instances in the diagram in alphabetical order arranged vertically. These letters correlate the text below the diagram with portions of the diagram.
5. Procedures that may involve the exchange of several messages are shown as an open block arrow with the name of the procedure inside.

1
2

6. Comments related to parts of the diagram are located in a comment column on the right side of the diagram.



3
4

Figure 1.6-1 Document Convention Example: Call Clear Initiated by MS

5
6
7
8
9
10

- a. The MS transmits an Order over the reverse link.
- b. The BS sends a message to the MSC. The BS starts timer T_x .
- c. The MSC sends a message to the BS and starts timer T_y . The BS stops timer T_x .
- d. The BS acknowledges the MS message by returning an Order over the forward link.
- e. The BS and MSC execute the procedure.
- f. The BS returns a message to the MSC. The MSC stops timer T_y .

11

1.6.1 Procedural Descriptions

12
13
14
15

The procedural descriptions are broken into sections where each section describes one of the messages in the procedure. The description for each procedure is written to flow through each section devoted to the messages that make up the procedure. Each of these sections has the following subsection breakdowns (as appropriate):

16
17
18
19
20
21
22
23
24
25
26
27

- 1. Successful Operation: this section is used to describe what the message is for, why the sender is sending it, and what the receiver is expected to do with the message. It may also provide a brief tutorial on the overall impact of this message regarding the particular procedure. It includes invocation of any pertinent timers or discussion of timing constraints. It may also provide subsections that describe the uses of the elements within the message, particularly if they are not obvious.
- 2. Failure Operation: if applicable, this section is used to describe the actions of the sender if the expected response is not received by the sender. This includes treatment of timer expiration or receipt of failure messages stemming from the message that was sent.
- 3. Abnormal Operation: if applicable, this section is used to describe out of sequence events that could possibly occur and the treatment by the receiver of the message.

28

2.0 Interface Model

The logical reference model used for this standard is the Network Reference Model as shown in [18].

2.1 Reference Points A, A_{ter}, A_{quinter}, and A_{quater}

The Network Reference Model contains reference points A, A_{ter}, A_{quinter}, and A_{quater} that are implemented by the protocols and interfaces of this standard.

- The A reference point is implemented by the A1, A2 and A5 interfaces.
- The A_{ter} reference point is implemented by the A3 and A7 interfaces.
- The A_{quater} reference point is implemented by the A10 and A11 interfaces.
- The A_{quinter} reference point is implemented by the A8 and A9 interfaces.

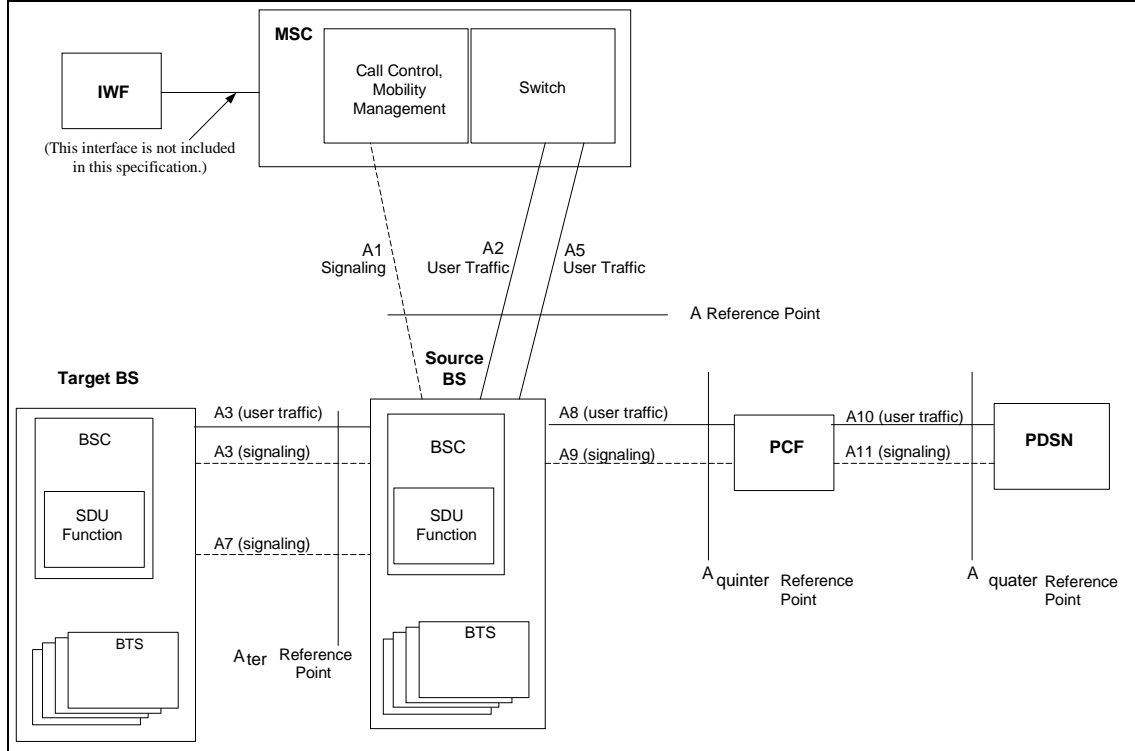
2.2 Interface Reference Model

The interfaces defined in this standard are described below.

A1	The A1 interface carries signaling information between the call control and mobility management functions of the MSC and the call control component of the BS (BSC).
A2	The A2 interface is used to provide a path for user traffic. The A2 interface carries 64/56 kbps PCM information (for circuit-oriented voice) or 64 kbps Unrestricted Digital Information (UDI, for ISDN) between the Switch component of the MSC and the Selection/Distribution Unit (SDU) function of the BS.
A3	The A3 interface is used to transport user traffic and signaling for inter-BS soft/softer handoff when a target BS is attached to the frame selection function within the source BS. The A3 interface carries coded user information (voice/data) and signaling information between the source BS SDU function and the channel element component (BTS) of the target BS. This is a logical description of the endpoints of the A3 interface. The physical endpoints are beyond the scope of this specification. The A3 interface is composed of two parts: signaling and user traffic. The signaling information is carried across a separate logical channel from the user traffic channel, and controls the allocation and use of channels for transporting user traffic.
A5	The A5 interface is used to provide a path for user traffic for circuit-oriented data calls between the source BS and the MSC. The A5 interface carries a full duplex stream of bytes between the switch component of the MSC and the SDU function of the BS.
A7	The A7 interface carries signaling information between a source BS and a target BS for inter-BS soft/softer handoff.
A8	The A8 interface carries user traffic between the BS and the PCF.
A9	The A9 interface carries signaling information between the BS and the PCF.
A10	The A10 interface carries user traffic between the PCF and the PDSN.
A11	The A11 interface carries signaling information between the PCF and the PDSN.

1
2
3
4
5
6

This is a logical architecture that does not imply any particular physical implementation. For this standard the IWF for circuit-oriented data calls is assumed to be located at the MSC, and the SDU function is considered to be co-located with the source BSC. Figure 2.2-1 shows the relationship among network components in support of mobile originations, mobile terminations, and direct BS-to-BS soft/softer handoff operations.



7
8
9

Figure 2.2-1 Reference Model for cdma2000 Access Network Interfaces

3.0 Information Flows

The interfaces defined in this standard provide:

- bearer (user traffic) connections (A2, A3 (traffic), A5, A8, and A10);
- a signaling connection between the channel element component of the BS and the SDU function (A3 signaling);
- a direct BS to BS signaling connection (A7);
- a signaling connection between the BS and the MSC (A1);
- a signaling connection between the BS and PCF (A9); and
- a signaling connection between a PCF and PDSN pair (A11). A11 signaling messages are also used for passing accounting related and other information from the PCF to the PDSN.

In general, the functions specified on the interfaces are based on the premise that the interfaces carry signaling information that traverses the following logical paths:

- between the BS and MSC only (e.g., BS management information);
- between the MS and the MSC via the BS (e.g., the BS maps air interface messages to the A1 interface);
- between the BS and other network elements via the MSC;
- between the source BS and the target BS;
- between the BS and the PCF;
- between the PCF and the PDSN; and
- between the MS and the PDSN (e.g., authorization information and Mobile Internet Protocol (MIP) signaling).

These logical paths define all of the traffic that can exist on the defined interfaces.

1
2
3
4
5
6
7

(This page intentionally left blank.)

4.0 MS Mobility for Packet Data Service

The Figure 4-1 provides a conceptual view of levels of packet data mobility.

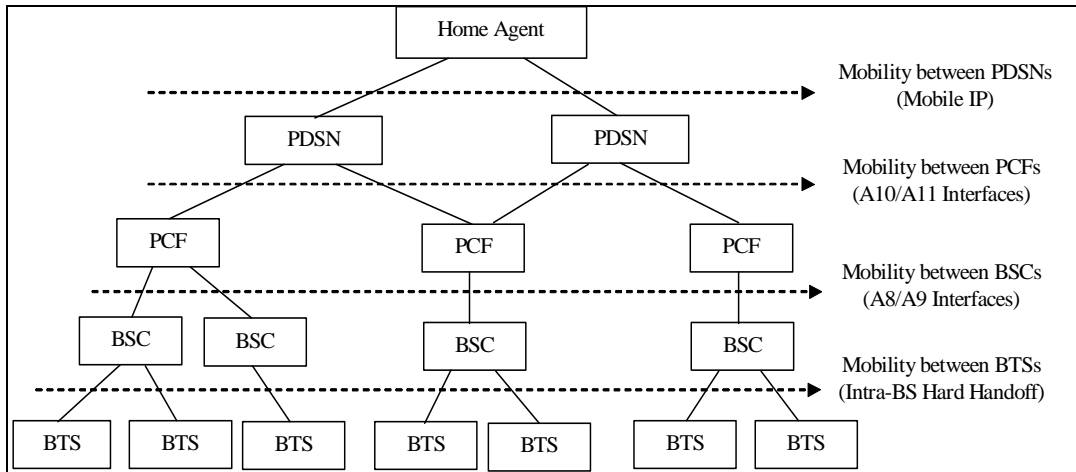


Figure 4-1 Levels of Packet Data Mobility

- The A8/A9 interfaces support MS mobility between BSCs under the same PCF.
- The A10/A11 interfaces support MS mobility between PCFs under the same PDSN.
- MIP [19] supports MS mobility between PDSNs under the same Home Agent. The PDSN provides the functionality of the Foreign Agent (FA).
- Hard handoff, fast handoff, dormant handoff and soft handoff procedures realize MS mobility between BTSs.

1
2
3
4
5
6
7

(This page intentionally left blank.)