

1 **Title:**

2 **APPROVED SUMMARY OF TSG-C MEETING**
3 **for 6-9 August 2012 in Seattle, WA, USA**

4 **Source:**

5
6 Clifton J. Barber
7 TSG-C SECRETARY
8
9 Representing KDDI
10 CJ Barber Consulting Services
11 3028 Saint Andrews Court
12 Jonesboro, GA 30236
13 (770) 210-2988
14 (770) 456-4099 fax
15 cbarber@cjbarberconsulting.com
16



17 **Abstract:**

18 This document is a summary of the 3GPP2 TSG-C meetings that were held during the period of
19 6-9 August 2012 in Seattle, WA, USA.

20 **Recommendations:**

21 For review and approval.
22
23

1 During the period of 6-9 August 2012, 3GPP2 TSG-C meetings were held at the Renaissance Hotel
2 Seattle in Seattle, WA, USA. This document is intended to summarize those proceedings.

3

4 **OPENING PLENARY**

5 **1. CALL TO ORDER AND OPENING REMARKS:** The meeting was called to order on
6 Monday 6 August 2012 at 9:28 AM local time by TSG-C Chair, Ed Tiedemann (Qualcomm).

7 The Chair welcomed everyone to Seattle.

8 The Chair requested all participants to sign into the electronic roster on the 3GPP2 server at
9 <http://tsgc.3gpp2.net>.

10 **2. ATTENDANCE REGISTRATION AND ROLL CALL:** A roll call of companies indicated
11 that 16 companies included on the list of 18 active quorum members were present (89%
12 participation). Thus, meeting quorum was achieved.

13 The Secretary noted that no proxy statements had been received for this meeting.

14 **3. INTRODUCTION AND NUMBERING OF CONTRIBUTIONS:** Contributions were loaded
15 onto the 3GPP2 LAN server and listed in the document register (C00-20120806-000R1).

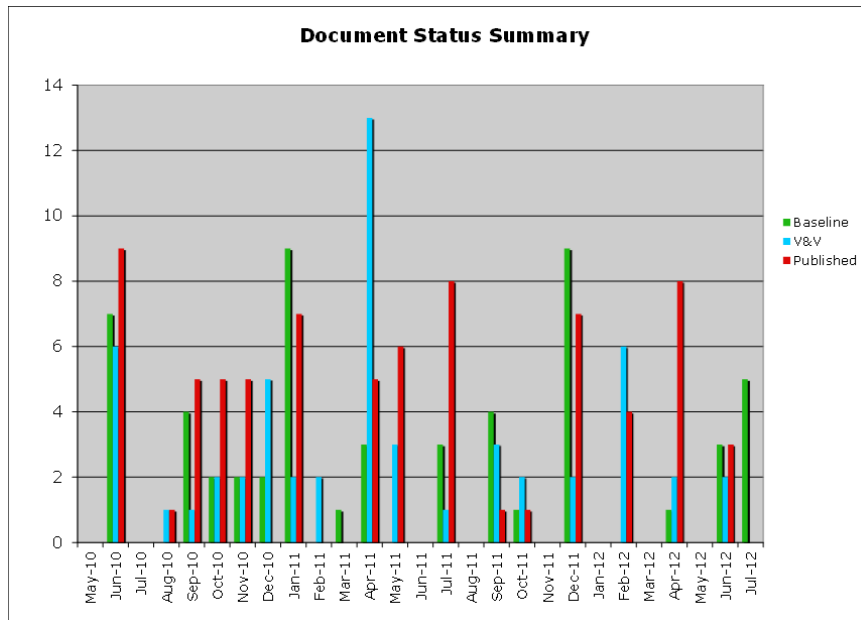
16 **4. AGENDA APPROVAL:** The proposed agenda (C00-20120806-001R1) was presented.

17 The Chair noted the following additional activities this week:

- 18 • WG1 will start on Monday 6 August 2012 at 3:30 PM local time.
- 19 • WG2 will start on Monday 6 August 2012 at 3:00 PM local time.
- 20 • Monday 6 August 2012 during the 5:00-6:30 PM time slot, WG2 will meet with TSG-A
21 and TSG-S WG1 regarding S.P0148-A Dynamic RAN Power Management Stage 1
22 Requirements.
- 23 • WG3 will start on Tuesday 7 August 2012 at 9:00 AM local time. WG3 will cover ITU
24 activities on Tuesday at 10:30 AM in the WG3 meeting room.
- 25 • Tuesday 7 August 2012 during the 10:30 AM - NOON time slot, WG2 will meet with
26 TSG-S WG1 regarding S.P0151-0 EUTRAN-eHRPD Interworking Matrix Technical
27 Report.
- 28 • The TSG-C Chair's meeting will be held on Wednesday 8 August 2012 at 7:30 AM in the
29 TSG-C WG1 meeting room.
- 30 • On Wednesday 8 August 2012 during the 10:30 AM – NOON time slot, WG1 and WG2
31 will meet to discuss 3-digit MNC and SMS for 911.
- 32 • The TSG-C/TR45.5 closing Plenaries will be held on Thursday 9 August 2012 starting at
33 5:00 PM.

DECISION: The agenda was approved without objection as submitted (C00-20120806-001R1).

The Chair noted the following progress regarding the processing of TSG-C documents:



5. ASSIGNMENTS OF CONTRIBUTIONS TO AGENDA ITEMS: Contributions were assigned to agenda items as noted on the agenda.

6. APPROVAL OF PREVIOUS MEETING SUMMARIES: The following contributions were discussed:

- The summary of the TSG-C meeting for June 2012 that was held in Guangzhou, China (C00-20120806-002) was presented. **DECISION: This meeting summary was approved without objection as modified by the discussion (C00-20120806-002R1).**
- The summary of the interim TSG-C Plenary call that was held on 10 July 2012 (C00-20120806-005) was presented. **DECISION: This meeting summary was approved without objection as submitted.**

7. REVIEW OF OUTSTANDING ACTIONS FROM PREVIOUS MEETING: The action items from the June 2012 face-to-face meeting were noted as follows:

120416-02 A call for volunteers has been issued for persons who are interested in serving as the TSG-C WG1 Vice-Chair.

This action was noted as still OPEN.

8. LIAISON REPORTS:

- **OP:** No contributions or discussion.

- 1 • **SC:** Correspondence to all TSGs dated 3 August 2012 regarding Status Update from
2 3GPP2 SC Workshop AdHoc (C00-20120806-032) was presented from the SC
3 Workshop Planning AdHoc. **ACTION: This correspondence was remanded to all**
4 **WGs for review and comment with comments to be coordinated by WG1.**
- 5 • **3GPP2 SECRETARIAT:** The following contributions were discussed:
- 6 • E-mail correspondences regarding SC level review and approval for C.S0087-A
7 v2.0 E-UTRAN – cdma2000 HRPD Connectivity and Interworking Air Interface
8 Specification (C00-20120806-010) was presented from the 3GPP2 Secretariat as
9 FYI for TSG-C.
- 10 • E-mail correspondences regarding SC level review and approval for C.S0105-0
11 v1.0 Unstructured Supplementary Service Data (USSD) Service Options for
12 Spread Spectrum Systems: Service Options 78 and 79 (C00-20120806-011) was
13 presented from the 3GPP2 Secretariat as FYI for TSG-C.
- 14 • E-mail correspondences regarding SC level review and approval of republication
15 text for C.S0024-B v3.0 cdma2000 HRPD Air Interface Specification (C00-
16 20120806-012) was presented from the 3GPP2 Secretariat as FYI for TSG-C.
- 17 • E-mail correspondences regarding SC level review and approval of republication
18 text for C.S0025-A v1.0 Markov Service Option (MSO) for cdma2000 Spread
19 Spectrum Systems (C00-20120806-013) was presented from the 3GPP2
20 Secretariat as FYI for TSG-C.
- 21 • E-mail correspondence dated 19 June 2012 regarding V&V release for C.P0014-E
22 v0.9 Software Distribution for Enhanced Variable Rate Codec (EVRC), Speech
23 Service Options 3, 68, 70, 73, and 77 Specification (C00-20120806-014) was
24 presented from the 3GPP2 Secretariat as FYI for TSG-C.
- 25 • E-mail correspondence dated 18 June 2012 regarding V&V release for C.P0035-
26 A v2.05 CDMA Card Application Toolkit (CCAT) (C00-20120806-015) was
27 presented from the 3GPP2 Secretariat as FYI for TSG-C.
- 28 • E-mail correspondence dated 16 July 2012 regarding approved press release for
29 CCF as the newest 3GPP2 MRP (C00-20120806-016) was presented from the
30 3GPP2 Secretariat as FYI for TSG-C.
- 31 • 3GPP2 Workplan files – June 2012 (C00-20120806-017) was presented from the
32 3GPP2 Secretariat. **ACTION: This correspondence was remanded to all**
33 **WGs for review and comment with comments to be coordinated by WG1.**
- 34 • **TSG-A:** No contributions or discussion.
- 35 • **TSG-S:** The following contributions were discussed:
- 36 • The TSG-S Document Status Table for June 2012 (C00-20120806-006) was
37 presented from TSG-S as FYI for TSG-C.

- 1 • E-mail correspondence dated 12 July 2012 regarding updated WI Tracking Sheet
2 (C00-20120806-007) was presented from TSG-S. **ACTION: This**
3 **correspondence was remanded to WG1 as FYI.**
- 4 • **TSG-X:** The following contributions were discussed:
- 5 • Correspondence dated 15 June 2012 regarding Review Comments (C00-
6 20120806-008) was presented from TSG-X. **ACTION: This correspondence**
7 **was remanded to WG1 as FYI.**
- 8 • Correspondence to TIA TR45.8 dated 15 June 2012 regarding Reply to Request
9 for information on Recommendation Q.1742.10 (C00-20120806-009) was
10 presented from TSG-X. **ACTION: This correspondence was remanded to**
11 **WG3 as FYI.**
- 12 • **TIA:** The following contributions were discussed:
- 13 • TIA ballot comments regarding C.R0014-E v1.0 Software Distribution for
14 Enhanced Variable Rate Codec, Speech Service Options 3, 68, 70, 73 and 77 for
15 Wideband Spread Spectrum Digital Systems (C00-20120806-021) was presented
16 from TIA TR45.5. **ACTION: This correspondence was remanded to WG1**
17 **for review and action as appropriate.**
- 18 • TIA ballot comments regarding C.S0035-A v3.0 CDMA Card Application
19 Toolkit (CCAT) (C00-20120806-022) was presented from TIA TR45.5.
20 **ACTION: This correspondence was remanded to WG1 for review and**
21 **action as appropriate.**
- 22 • ITU-R WP5D Liaison dated 20 July 2012 regarding Draft Outline of a Working
23 Document Toward a Preliminary Draft New Report on The Use of International
24 Mobile Telecommunications (IMT) for Broadband Public Protection and Disaster
25 Relief (PPDR) Applications (C00-20120806-023) was presented from TIA
26 TR45.5. **ACTION: This correspondence was remanded to WG3 for review**
27 **and action as appropriate.**
- 28 • Summary of SGIP PAP2 Activities Update as of August 2012 (C00-20120806-
29 030) was presented from the TIA TR45.5 Liaison to SGIP PAP2. **ACTION:**
30 **This correspondence was remanded to WG3 for review and action as**
31 **appropriate.**
- 32 • **ITU:** The following contributions were discussed:
- 33 • LS to External Organizations dated 24 July 2012 regarding Invitation to Input
34 Material for Development of New Working Document Toward a Preliminary
35 Draft New Report on the Use of IMT for Broadband PPDR Applications (C00-
36 20120806-018) was presented from ITU-R WP5D. **ACTION: This**
37 **correspondence was remanded to WG3 for review and action as appropriate.**

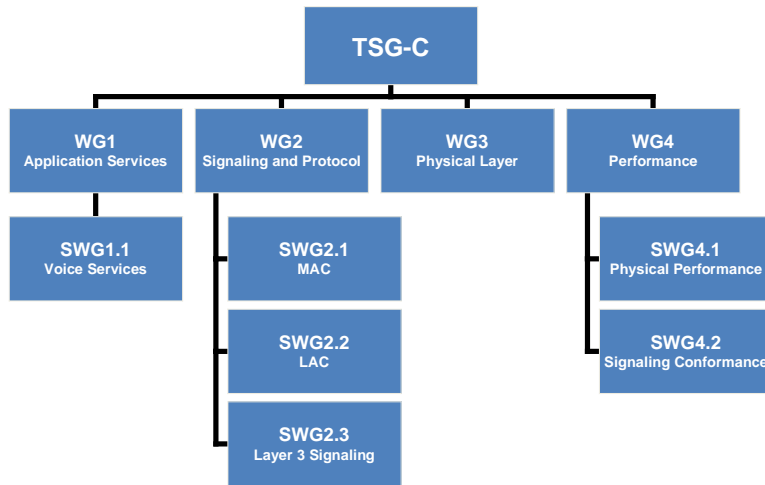
- 1 • LS to External Organizations dated 24 July 2012 regarding Review of Report
2 ITU-R M.2039 (C00-20120806-019) was presented from ITU-R WP5D.
3 **ACTION: This correspondence was remanded to WG3 for review and**
4 **action as appropriate.**
- 5 • E-mail correspondence dated 16 February 2012 regarding Update of Liaison to
6 External Organizations on M.1457-11 (C00-20120806-020) was presented from
7 ITU-T WP5D. **ACTION: This correspondence was remanded to WG3 for**
8 **review and action as appropriate.**
- 9 • ITU-R WP 5D Update (C00-20120806-031) was presented from Alcatel-Lucent.
10 **ACTION: This correspondence was remanded to WG3 as FYI.**
- 11 • **CDG:** No contributions or discussion.
- 12 • **OMA:** No contributions or discussion.
- 13 • **3GPP/ETSI:** No contributions or discussion.
- 14 • **OTHER:** An LS template dated July 2012 on HEVC standardization status (C00-
15 20120806-024) was presented from ISO/IEC JTC1/SC29/WG11. **ACTION: This**
16 **correspondence was remanded to WG1 for review and action as appropriate.**

17 9. **WORKING GROUP REPORTS:**

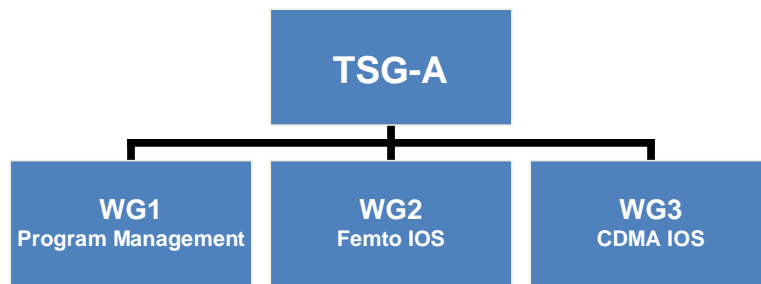
- 18 • **WG1 REPORT:** A verbal report regarding WG1 activities and their plans for the week
19 was presented by WG1 Chair, Doug Dunn (Kyocera), as FYI.
- 20 • TSG-C Document Log (C00-20120806-003) was noted as FYI for TSG-C.
- 21 • TSG-C Work Item Review Status Log (C00-20120806-004) was noted as FYI for
22 TSG-C.
- 23 • The SWG1.1 Chair had informed the WG1 Chair that she would be planning to
24 resign from that position in the very near future.
- 25 • **DECISION: PN/DN Request (C00-20120806-027) was approved without**
26 **objection and remanded back to WG1 for assignment.**
- 27 • **DECISION: C.P0015-C v0.2 Short Message Service (SMS) For Wideband**
28 **Spread Spectrum Systems (C00-20120806-028) was approved without**
29 **objection as baseline text and remanded back to WG1 for R&F.**
- 30 • **DECISION: C.P0018-E v1.8 Minimum Performance Specification for the**
31 **Enhanced Variable Rate Codec, Speech Service Options 3, 68, 70, 73 and 77**
32 **for Wideband Spread Spectrum Digital Systems (C00-20120806-029) was**
33 **approved without objection as baseline text and remanded back to WG1 for**
34 **R&F.**

- 1 • **WG2 REPORT:** A verbal report of WG2 activities and their plans for this week was
2 presented by WG2 Vice-Chair, Ke-Chi Jang (Ericsson), as FYI.
- 3 No actions were requested from the Plenary at this time.
- 4 • **WG3 REPORT:** A verbal report of WG3 activities and their plans for this week was
5 presented by the WG3 Chair, Sang Kim (LGE), as FYI.
- 6 No actions were requested from the Plenary at this time.
- 7 • **WG4 REPORT:** A verbal report of WG3 activities and their plans for this week was
8 presented by the WG4 Co-Chair, Dave Whipple (Agilent), as FYI.
- 9 Raj Khanna (Rohde & Schwarz) has officially announced his resignation as the SWG4.2
10 Vice-Chair.
- 11 No actions were requested from the Plenary at this time.
- 12 **10. OLD BUSINESS:** V&V comments regarding C.R0014-E v1.0 Software Distribution for
13 Enhanced Variable Rate Codec, Speech Service Options 3, 68, 70, 73 and 77 for Wideband
14 Spread Spectrum Digital Systems (C00-20120806-026) was presented from Qualcomm.
15 **ACTION: This contribution was remanded to WG1 for review and action as appropriate.**
- 16 **11. NEW BUSINESS:** A contribution regarding Possible Changes in 3GPP2 (C00-20120806-025)
17 was presented from the Chair as FYI for TSG-C.
- 18 • The objectives are:
- 19 • Ensure 3GPP2 continues to support the development of technical specifications
20 for the cdma2000 community in a more effective manner.
- 21 • Optimize the meetings by leveraging the synergies in the work between TSG-A
22 and TSG-C, and between TSG-S and TSG-X
- 23 • Realize possible cost savings in terms of actual meeting requirements (number of
24 rooms, secretarial support, etc.)
- 25 • The 3GPP2 leadership has been exploring the restructuring of the TSGs
- 26 • Want to broaden the discussion with entire community to collect feedback and
27 identify issues
- 28 • Any decision would likely be at the October SC meeting in Sapporo
- 29 • Leadership elections in December; thus, if changes are to be made, would be
30 logical time

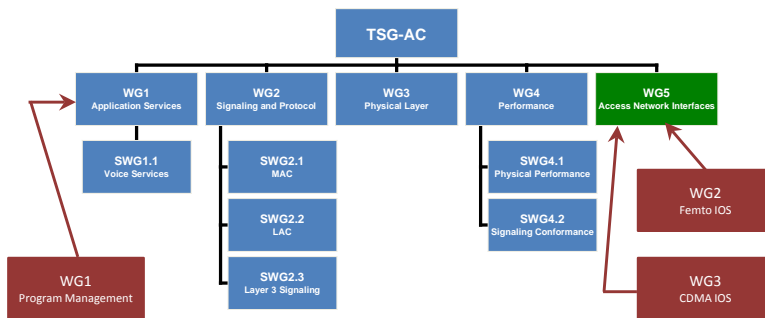
- Existing TSG-C Organization



- Existing TSG-A Organization



- Merged Organization



- Merger Aspects

- TSG-A Program Management aspects (TSG-A WG1) would merge into TSG-C WG1
- TSG-A Femto IOS (TSG-A WG2) and TSG-A CDMA IOS (TSG-A WG3) would merge into WG5
- There could be additional restructuring of legacy TSG-C aspects if it results in additional improvements

- 1 • Currently should determine if there any serious issues
- 2 • • Consider how a merged TSG-A and TSG-C would operate and identify
- 3 • • any issues
- 4 • • The details of the ToRs and internal working procedures will be addressed
- 5 • • after merging the TSGs is approved.

- 6 • Documents would maintain C.x or A.x nomenclature. New documents would
- 7 • also use a C.x or an A.x format, depending upon which is appropriate.

- 8 • It is expected that WG5 would need about 12 hours/week

- 9 • To keep costs down, trying to fit into a total of six meeting rooms for all TSGs
- 10 • during f2f meetings. TSG-C would get three rooms plus perhaps some of a 4th
- 11 • room (maybe needed when SWG4.2 meets).

12 The discussion noted the following:

- 13 • There may be a problem for some attendees if the opening and closing Plenaries for the
- 14 • A/C and S/X groups are held simultaneously.

- 15 • The restructuring is motivated by cost and operational synergy.

- 16 • Although the current TSG-C org charts specifies LAC/Layer 3 differences between
- 17 • SWG2.2 and SWG2.3 when WG2 is operating them as control signaling/data plane
- 18 • signaling. The Chair noted that changes to org structure should officially be documented
- 19 • and approved by the TSG-C Plenary.

- 20 • TSG-A conducts R&F and V&V in a Plenary AdHoc while TSG-C R&F and V&V is
- 21 • done by the WG that developed the document. This process difference must be resolved
- 22 • for the merged A/C TSG.

23 **ACTION: This contribution was remanded to all WGs for review and comment with**
24 **comments due by the Chair's meeting and the closing Plenary.**

25 This session was recessed on Monday 6 August 2012 at 12:03 PM local time.

26
27
28 **CLOSING PLENARY:**

29 The meeting was reconvened on Thursday 9 August 2012 at 5:18 PM local time by TSG-C Chair, Ed
30 Tiedemann (Qualcomm).

31 Quorum was established at the opening Plenary and not challenged at this time. One (1) additional
32 3GPP2 individual member company from the TSG-C active roster was noted in attendance.

12. WORKING GROUP REPORTS:

- **WG1 REPORT:** The WG1 report (C00-20120806-101R1) was presented by the WG1 Chair, Doug Dunn (Kyocera), as FYI.
- Documents Being Proposed for SC Level Review:
 - C.P0035-A CDMA Card Application Toolkit (CCAT) (to be published as C.S0035-A v3.0, TSGC-175/3GPP2-00304)
- Documents Being proposed for republication text:
 - NONE
- Documents Being Proposed for V&V:
 - C.P0015-C v0.3 Short Message Service (SMS) For Wideband Spread Spectrum Systems (to be published as C.S0015-C v1.0, TSGC-179)
- Documents Being Proposed for Baseline:
 - C.R0048-A v1.03 Mobile Equipment (ME) Conformance Testing with RUIIM for cdma2000 Spread Spectrum Standards (to be published as C.S0048-A v2.0, TSGC-180)
- Also progressed the development of the following:
 - C.P0107-0 v1.0 Mobile Equipment (ME) Conformance Testing with CDMA Card Application Toolkit
 - C.S0101-0 v1.0 Mobile Equipment (ME) Conformance Testing with CSIM for cdma2000 Spread Spectrum Standards
 - C.S0065-B v3.0 cdma2000 Application on UICC for Spread Spectrum Systems
 - C.S0106-0 v1.0 Mobile Equipment (ME) Conformance Testing with CDMA Card Application Toolkit
- WG1 decided that there will be no more feature development for the R-UIM. The focus will be on the CSIM. All contributions related to a new revision of the R-UIM were closed. If the feature is relevant to CSIM, a new contribution was or will be submitted.
- The following new document number assignments were included in the latest version of the TSG-C document log (C00-20120806-003) or made during the meeting:

TSG-C Document #	Document Title	Supported TSG-C WIs	Supported 3GPP2 WIs
C.S0001-F	Introduction to cdma2000 Spread Spectrum Systems	TSGC-176	3GPP2-00309
C.S0002-F	Physical Layer Standard for cdma2000 Spread Spectrum Systems	TSGC-176	3GPP2-00309

C.S0003-F	Medium Access Control (MAC) Standard for cdma2000 Spread Spectrum Systems	TSGC-176	3GPP2-00309
C.S0004-F	Signaling Link Access Control (LAC) Standard for cdma2000 Spread Spectrum Systems	TSGC-176	3GPP2-00309
C.S0005-F	Upper Layer (Layer 3) Signaling Standard for cdma2000 Spread Spectrum Systems	TSGC-176	3GPP2-00309
C.S0015-C	Short Message Service (SMS) For Wideband Spread Spectrum Systems	TSGC-179	
C.S0018-E	Minimum Performance Specification for the Enhanced Variable Rate Codec, Speech Service Options 3, 68, 70, 73 and 77 for Wideband Spread Spectrum Digital Systems	TSGC-181	

1 The TSG-C Work Items that were recommended for approval.

WI	Title
TSGC-0181	EVRC MPS Test Condition Correction for 2kbps mode

2 **DECISION: C.P0035-A CDMA Card Application Toolkit (CCAT) (C00-20120806-**
 3 **126) was approved without objection for publication as C.S0035-A v3.0 and liaised**
 4 **to TIA TR45.5.**

5 **DECISION: C.P0015-C v0.3 Short Message Service (SMS) For Wideband Spread**
 6 **Spectrum Systems (C00-20120806-127) was approved without objection for V&V**
 7 **review by the 3GPP2 OPs and TSG-C participants with comments due on or before**
 8 **14 September 2012. This contribution was also liaised to TIA TR45.5.**

9 **DECISION: C.P0048-A v1.03 Mobile Equipment (ME) Conformance Testing with**
 10 **R-UM for cdma2000 Spread Spectrum Standards (C00-20120806-128) was**
 11 **approved without objection as baseline text and remanded back to WG1 for R&F.**

12 **DECISION: Proposed correspondence to TSG-S regarding TSG-C Review of**
 13 **3GPP2 WIs (C00-20120806-129) was approved without objection for transmission.**

14 **DECISION: Proposed correspondence to TSG-X regarding ITU-T SG2 LS dated**
 15 **29 March 2012 regarding assignment of 3 digit MNCs (C00-20120806-130) was**
 16 **approved without objection for transmission pending editorial corrections by the**
 17 **Secretary.**

18 **DECISION: Proposed correspondence to SC Workshop Planning Ad Hoc**
 19 **regarding Workshop Summary (C00-20120806-131R1) was approved without**
 20 **objection for transmission.**

21 **DECISION: Proposed TSG-C WI TSGC-181 EVRC MPS Test Condition**
 22 **Correction for 2kbps mode (C00-20120806-132) was approved without objection**
 23 **and authorized for transmission to TSG-S for 3GPP2 WI processing.**

24 **DECISION: Proposed correspondence to TIA TR45.5 regarding TIA Legal**
 25 **Comments on C.S0014-E v1.0 EVRC (C00-20120806-135) was approved without**
 26 **objection for transmission.**

ACTION: WG1 will prepare a correspondence to CDG advising them of the TSG-C intent to cease work on R-UIM feature development. This document will be available for consideration at the Sapporo meeting.

- **WG2 REPORT:** The WG2 report (C00-20120806-102R1) was presented by the WG2 Vice-Chair, Ke-Chi Jang (Ericsson), as FYI.
 - Documents Being Proposed for Publication: NONE
 - Documents Being Proposed for re-publication: NONE
 - Documents Requiring V&V Review:
 - C.S0001-F v1.0. Introduction to cdma2000 Spread Spectrum Systems (TSGC-176, 3GPP2-309)
 - C.S0003-F v1.0. Medium Access Control (MAC) Standard for cdma2000 Spread Spectrum Systems (TSGC-176, 3GPP2-309)
 - C.S0004-F v1.0. Signaling Link Access Control (LAC) Standard for cdma2000 Spread Spectrum Systems (TSGC-176, 3GPP2-309)
 - C.S0005-F v1.0. Upper Layer (Layer 3) Signaling Standard for cdma2000 Spread Spectrum Systems (TSGC-176, 3GPP2-309)
 - C.S0017-010-0 v3.0. Data Service Options for Spread Spectrum Systems – RLP Type 3 (TSGC-176, 3GPP2-309)
 - C.S0097-0 v3.0 E-UTRAN – cdma2000 1x Connectivity and Interworking Air Interface Specification (TSGC-177, 3GPP2-310)
 - Documents proposed as baseline text: NONE
 - WG2 met jointly with TSG-S WG1 to discuss the IWK matrix (S.P0151) on Tuesday 11:30AM – 12:00 PM. Editor of S.P0151 was assigned. The meeting discussed whether there is a need to include Rel 9 information, whether CSFB should be included in the matrix and the how document version should be used in the document. Both TSG-S WG1 and TSG-C WG2 agreed to have joint session during Sapporo meeting (between 11:30 AM to 12:30PM (1 hour) on Tuesday 16 October 2012).
 - WG1 and WG2 had joint discussion on “Availability of civic alerting function of 3GPP/3GPP2 terminal at roaming” on Wednesday during the period of 10:30AM to 12:30PM. TSG-C WG3 is coordinating this effort. WG1 will provide a summary of the information to WG3 for a response to TSG-X with TSG-C input.
 - WG1 and WG2 had joint discussion on “Assignment of 3-digit MNCs” on Wednesday between 10:30AM to 12:30PM. TSG-C WG1 coordinated the effort and will respond to TSG-X with TSG-C input.
 - WG1 and WG2 had joint discussion on “SMS-to-9-1-1 Issue Statement” on Wednesday between 10:30AM to 12:30PM. It was determined that there is no impact to TSG-C. WG2 Chair sent an e-mail to the TSG-X Chair to provide the input from TSG-C WG1 and WG2.

- WG2 discussed C.P0017 document number issue. The following are the result of the discussion:
 - For RLP type 3 changes for C.P0017 Rev 0, it is agreed to use document number C.P0017-010-0 v3.0 to be the document number for new revision of RLP type 3. It is also determine that in the document, we should add the prior revision for RLP type-3 chapter is in C.P0017-0-2.
 - It is also agreed the change in C.P0017-010-0 v3.0 will be included in a point release of C.P0017-010-A.
 - During the investigation, it is found out that in the TSG-C specification link on 3GPP2 website, C.P0017-0-1 does not link to any document.
 - It is also suggested that we may need to rename the link name from C.P0017-0 v5.0 to C.P0017-012-0 v5.0 on 3GPP2 website (TSG-C specification). The reason is that this document only has changes to SO 33.
- Interim conference calls have been scheduled as follows:

Group	Date	Time
SWG1	24 October 2012	7:00 – 9:00 PM Central if needed
SWG2	29 August 2012	7:00 – 9:00 PM Central - CSFB
	1 September 2012	7:00 – 9:00 PM Central – CSFB
	19 September 2012	9:00 – 11:00 AM Central - 1x Rev F
	26 September 2012	7:00 – 9:00 PM Central – 1x Rev F
	10 October 2012	7:00 – 9:00 PM Central – 1x Rev F

DECISION: Project number request for C.P0017-010-0 v3.0 (C00-20120806-119R1) was approved without objection and remanded WG1 for assignment.

DECISION: C.P0001-F Introduction to cdma2000 Spread Spectrum Systems (C00-20120806-114) was approved without objection for V&V review by the 3GPP2 OPs and TSG-C participants with comments due on or before 14 September 2012. This contribution was also liaised to TIA TR45.5.

DECISION: C.P0003-F Medium Access Control (MAC) Standard for cdma2000 Spread Spectrum Systems (C00-20120806-115) was approved without objection for V&V review by the 3GPP2 OPs and TSG-C participants with comments due on or before 14 September 2012. This contribution was also liaised to TIA TR45.5.

DECISION: C.P0004-F Signaling Link Access Control (LAC) Standard for cdma2000 Spread Spectrum Systems (C00-20120806-116) was approved without objection for V&V review by the 3GPP2 OPs and TSG-C participants with comments due on or before 14 September 2012. This contribution was also liaised to TIA TR45.5.

DECISION: C.P0005-F Upper Layer (Layer 3) Standard for cdma2000 Spread Spectrum Systems (C00-20120806-117) was approved without objection for V&V review by the 3GPP2 OPs and TSG-C participants with comments due on or before 14 September 2012. This contribution was also liaised to TIA TR45.5.

1 **DECISION: Proposed correspondence to TSG-X regarding P0037 SMS-to-911**
2 **(C00-20120806-120R1) was approved without objection for transmission.**

3 **DECISION: WG1/WG2/WG3 review on NIST Cloud Computing Reference**
4 **Architecture forward from TC CCSC (C00-20120806-121R1) was approved without**
5 **objection to be liaised to TIA TR45.5.**

6 **DECISION: C.P0017-010-0 Data Service Options for Spread Spectrum Systems,**
7 **RLP Type 3 (C00-20120806-113) was approved without objection for V&V review**
8 **by the 3GPP2 OPs and TSG-C participants with comments due on or before**
9 **14 September 2012. This contribution was also liaised to TIA TR45.5.**

10 **DECISION: C.P0097-0 E-UTRAN – cdma2000 1x Connectivity and Interworking**
11 **Air Interface Specification (C00-20120806-118) was approved without objection for**
12 **V&V review by the 3GPP2 OPs and TSG-C participants with comments due on or**
13 **before 14 September 2012. This contribution was also liaised to TIA TR45.5.**

- 14 • **WG3 REPORT:** The WG3 report (C00-20120806-103R1) was presented by WG3
15 Chair, Sang Kim (LGE), as FYI.

- 16 • Documents Being Proposed for Publication: NONE
- 17 • Documents Being Proposed for Re-Publication: NONE
- 18 • Documents Being Proposed for V&V Review:
 - 19 • C.S0002-F Physical Layer Standard for cdma2000 Spread Spectrum
 - 20 Systems (TSGC-176)
- 21 • Documents Being Proposed as Baseline Text: NONE
- 22 • Other items for Plenary approval:
 - 23 • Proposed Communication to ITU-R WP 5D regarding M.1457-11
 - 24 • Proposed response to WP5D liaison on review of report ITU-R M.2039
- 25 • No WG3 interim conference calls have been scheduled.

26 The ITU activities report (C00-20120806-103A) was noted as FYI.

27 **DECISION: Proposed correspondence to ITU-R WP 5D regarding M.1457-11**
28 **(C00-20120806-122) was approved without objection to be transmitted to the 3GPP2**
29 **OPs and liaised to TIA TR45.5 based on 026R1 in the zip file.**

30 **DECISION: Proposed correspondence to WP5D liaison regarding review of ITU R**
31 **M.2039 (C00-20120806-123) was approved without objection to be liaised to TIA**
32 **TR45.5.**

33 **DECISION: C.P0002-F Physical Layer Standard for cdma2000 Spread Spectrum**
34 **Systems (C00-20120806-124) was approved without objection for V&V review by**
35 **the 3GPP2 OPs and TSG-C participants with comments due on or before 14**
36 **September 2012. This contribution was also liaised to TIA TR45.5.**

- 1 • **WG4 REPORT:** The WG4 report (C00-20120806-104) was presented by WG4 Co-
2 Chair, Dave Whipple (Agilent), as FYI.
- 3 • Documents Being Proposed for SC Level Review:
 - 4 • C.P0044-C Interoperability Specification for cdma2000 Air Interface
5 (WI TSGC-144)
- 6 • Documents Being Proposed for Republication: NONE
- 7 • Documents Being Proposed for V&V Review: NONE
- 8 • Document Proposed as Baseline Text: NONE

9 **DECISION: C.P0044-C Interoperability Specification for cdma2000 Air Interface**
10 **(C00-20120806-125) was approved without objection for publication as C.S0044-A**
11 **v1.0 and liaised to TIA TR45.5.**

12 13. LIAISON REPORTS:

- 13 • **OP:** No contributions or discussions.
- 14 • **SC:** No contributions or discussions.
- 15 • **3GPP2 SECRETARIAT:** No contributions or discussions.
- 16 • **TSG-A:** The following contributions were discussed:
 - 17 • ITU-T SG12 LS dated 7 June 2012 regarding Reply liaison to GSMA TSG on the
18 new Recommendation P.UHIP (C00-20120806-105) was presented from TSG-A.
19 **ACTION: This contribution was remanded to WG1 and WG3 for review**
20 **and comment with comments to be coordinated by WG1.**
 - 21 • Correspondence to SC Workshop Planning AdHoc dated 9 August 2012 regarding
22 TSG-A review of initial draft of Guangzhou workshop summary (C00-20120806-
23 133) was presented from TSG-A as FYI for TSG-C.
 - 24 • Correspondence to TIA TR45.5 dated 9 August 2012 regarding Approval of TSG-
25 A Specifications for Publication (C00-20120806-134) was presented from TSG-A
26 as FYI for TSG-C.
- 27 • **TSG-S:** The following contributions were discussed:
 - 28 • The TSG-S Liaison Report for August 2012 (C00-20120806-107) was presented
29 from the TSG-S Liaison as FYI for TSG-C.
 - 30 • Correspondence to TIA TR45.8 dated 9 August on the plan to republish S.P0148-
31 0 v1.0 Dynamic RAN Power Management Stage 1 Requirements upon removing
32 spurious line numbers (C00-20120806-108) was presented from TSG-S as FYI
33 for TSG-C.

- 1 • Correspondence to TIA TR45.8 dated 9 August regarding V&V Comment
2 Disposition and Publication of S.P0146 (C00-20120806-109) was presented from
3 TSG-S as FYI for TSG-C.
- 4 • Correspondence to TIA TR45.8 dated 9 August regarding S.P0149-0 Remote
5 Provisioning SRD V&V Comment Disposition and Publication (C00-20120806-
6 110) was presented from TSG-S as FYI for TSG-C.
- 7 • Correspondence to all TSGs dated 9 August regarding WIs for TSG Review
8 (C00-20120806-111) was presented from TSG-S. **ACTION: This contribution**
9 **was remanded to all WGs for review and comment with comments to be**
10 **coordinated by WG1.**
- 11 • Correspondence to SC Workshop Planning AdHoc dated 9 August regarding
12 TSG-S Comments on Workshop Summary (C00-20120806-112) was presented
13 from TSG-S as FYI for TSG-C.
- 14 • **TSG-X:** Correspondence dated 6 August 2012 regarding Review Comments (C00-
15 20120806-106) was presented from TSG-X. **ACTION: This contribution was**
16 **remanded to WG1 as FYI.**
- 17 • **TIA:** No contributions or discussions.
- 18 • **ITU:** No contributions or discussions.
- 19 • **CDG:** No contributions or discussions.
- 20 • **3GPP:** No contributions or discussions.
- 21 • **OMA:** No contributions or discussions.
- 22 • **OTHER:** No contributions or discussions.

23 14. **OLD BUSINESS (continued):** No contributions or discussions.

24 15. **NEW BUSINESS (continued):** No contributions or discussions.

25 16. **FUTURE MEETING SCHEDULE:**

15-19 October 2012	Sheraton Sapporo in Sapporo, Japan
10-14 December 2012	Maui, HI, USA
2013	TBD

26 17. **OPEN DISCUSSION AND OTHER BUSINESS:**

27 The Chair thanked the WGs who have provided comments on the proposed 3GPP2 Reorg and
28 provided a verbal update of the TSG Chair discussions. The Chairs will document a proposal
29 and list of issues for discussion at the next meeting.

30 The Chair noted that this was the last official meeting of Clif Barber (KDDI) and thanked him
31 for his service.

- 1 18. **ASSIGNMENTS:** The open action items as of the end of this meeting, other than standard
2 document remands, were noted as follows:
- 3 120416-02 A call for volunteers has been issued for persons who are interested in serving as
4 the TSG C WG1 Vice-Chair.
- 5 120806-01 WG1 will prepare a correspondence to CDG advising them of the TSG-C intent to
6 cease work on R-UIM feature development. This document will be available for
7 consideration at the Sapporo meeting.
- 8 19. **ADJOURNMENT:** The Plenary was adjourned on 9 August 2012 at 7:15 PM local time.

NUMBER	SUBJECT	SOURCE	ACTION
OPENING PLENARY – C00-20120806-			
* Contribution was remanded in advance to this WG/AdHoc			
000	DOCUMENT REGISTER	SECRETARY	FYI R1
001	AGENDA	CHAIR	APPROVED R1
002	TSG-C Meeting Summary - June 2012 – Guangzhou, China	SECRETARY	APPROVED R1
003	TSG-C Document Log	WG1	APPROVED
004	TSG-C Work Item Review Status Log	WG1	APPROVAL
005	TSG-C Meeting Summary – 10 July 2012 – Interim Plenary Call	SECRETARY	APPROVAL
006	TSG-S Document Status Table – June 2012	TSG-S	FYI
007	E-mail correspondence dated 12 July 2012 regarding updated WI Tracking Sheet	TSG-S	WG1
008	Correspondence dated 15 June 2012 regarding Review Comments	TSG-X	WG1
009	Correspondence to TIA TR45.8 dated 15 June 2012 regarding Reply to Request for information on Recommendation Q.1742.10	TSG-X	WG3
010	E-mail correspondences regarding SC level review and approval for C.S0087-A v2.0 E-UTRAN – cdma2000 HRPD Connectivity and Interworking Air Interface Specification	3GPP2 SECRETARIAT	FYI
011	E-mail correspondences regarding SC level review and approval for C.S0105-0 v1.0 Unstructured Supplementary Service Data (USSD) Service Options for Spread Spectrum Systems: Service Options 78 and 79	3GPP2 SECRETARIAT	FYI
012	E-mail correspondences regarding SC level review and approval of republication text for C.S0024-B v3.0 cdma2000 HRPD Air Interface Specification	3GPP2 SECRETARIAT	FYI
013	E-mail correspondences regarding SC level review and approval of republication text for C.S0025-A v1.0 Markov Service Option (MSO) for cdma2000 Spread Spectrum Systems	3GPP2 SECRETARIAT	FYI
014	E-mail correspondence dated 19 June 2012 regarding V&V release for C.P0014-E v0.9 - Software Distribution for Enhanced Variable Rate Codec (EVRC), Speech Service Options 3, 68, 70, 73, and 77 Specification	3GPP2 SECRETARIAT	FYI
015	E-mail correspondence dated 18 June 2012 regarding V&V release for C.P0035-A v2.05 CDMA Card Application Toolkit (CCAT)	3GPP2 SECRETARIAT	FYI
016	E-mail correspondence dated 16 July 2012 regarding approved press release for CCF as the newest 3GPP2 MRP	3GPP2 SECRETARIAT	FYI
017	3GPP2 Workplan files – August 2012	3GPP2 SECRETARIAT	WG1 ALL WGs
018	LS to External Organizations dated 24 July 2012 regarding Invitation to Input Material for Development of New Working Document Toward a Preliminary Draft New Report on the Use of IMT for Broadband PPDR Applications	ITU-R WP5D	WG3*

NUMBER	SUBJECT	SOURCE	ACTION
OPENING PLENARY – C00-20120806-			
* Contribution was remanded in advance to this WG/AdHoc			
019	LS to External Organizations dated 24 July 2012 regarding Review of Report ITU-R M.2039	ITU-R WP5D	WG3*
020	E-mail correspondence dated 16 February 2012 regarding Update of Liaison to External Organizations on M.1457-11	ITU-T WP5D	WG3*
021	TIA ballot comments regarding C.R0014-E v1.0 Software Distribution for Enhanced Variable Rate Codec, Speech Service Options 3, 68, 70, 73 and 77 for Wideband Spread Spectrum Digital Systems	TIA TR45.5	WG1*
022	TIA ballot comments regarding C.S0035-A v3.0 CDMA Card Application Toolkit (CCAT)	TIA TR45.5	WG1*
023	ITU-R WP5D Liaison dated 20 July 2012 regarding Draft Outline of a Working Document Toward a Preliminary Draft New Report on The Use of International Mobile Telecommunications (IMT) for Broadband Public Protection and Disaster Relief (PPDR) Applications	TIA TR45.5	WG3*
024	LS template dated July 2012 on HEVC standardization status	ISO/IEC JTC1/SC29/WG11	WG1*
025	Possible Changes in 3GPP2	CHAIR	FYI
026	V&V comments regarding C.R0014-E v1.0 Software Distribution for Enhanced Variable Rate Codec, Speech Service Options 3, 68, 70, 73 and 77 for Wideband Spread Spectrum Digital Systems	QUALCOMM	WG1
027	PN/DN Request	WG1	APPROVED
028	C.P0015-C v0.2 Short Message Service (SMS) For Wideband Spread Spectrum Systems proposed baseline text	WG1	APPROVED
029	C.P0018-E v1.8 Minimum Performance Specification for the Enhanced Variable Rate Codec, Speech Service Options 3, 68, 70, 73 and 77 for Wideband Spread Spectrum Digital Systems proposed baseline text	WG1	APPROVED
030	Summary of SGIP PAP2 Activities Update as of August 2012	TIA TR45.5 LIAISON TO SGIP PAP2	WG3
031	ITU-R WP 5D Update	ALCATEL-LUCENT	WG3
032	Correspondence to all TSGs dated 3 August 2012 regarding Status Update from 3GPP2 SC Workshop AdHoc	SC WORKSHOP PLANNING ADHOC	WG1 ALL WGs
CLOSING PLENARY – C00-20120806-			
* Contribution was remanded in advance to this WG/AdHoc			
101	WG1 Report	WG1	FYI
102	WG2 Report	WG2	FYI
103	WG3 Report	WG3	FYI

NUMBER	SUBJECT	SOURCE	ACTION
OPENING PLENARY – C00-20120806-			
* Contribution was remanded in advance to this WG/AdHoc			
104	WG4 Report	WG4	FYI
105	ITU-T SG12 LS dated 7 June 2012 regarding Reply liaison to GSMA TSG on the new Recommendation P.UHIP	TSG-A	WG1 WG1, WG3
106	Correspondence dated 6 August 2012 regarding Review Comments	TSG-X	WG1
107	TSG-S Liaison Report – August 2012	TSG-S LIAISON	FYI
108	Correspondence to TIA TR45.8 dated 9 August on the plan to republish S.P0148-0 v1.0 Dynamic RAN Power Management Stage 1 Requirements upon removing spurious line numbers	TSG-S	FYI
109	Correspondence to TIA TR45.8 dated 9 August regarding V&V Comment Disposition and Publication of S.P0146	TSG-S	FYI
110	Correspondence to TIA TR45.8 dated 9 August regarding S.P0149-0 Remote Provisioning SRD V&V Comment Disposition and Publication	TSG-S	FYI
111	Correspondence to all TSGs dated 9 August regarding WIs for TSG Review	TSG-S	WG1 ALL WGs
112	Correspondence to SC Workshop Planning AdHoc dated 9 August regarding TSG-S Comments on Workshop Summary	TSG-S	FYI
113	C.P0017-010-0 Data Service Options for Spread Spectrum Systems, RLP Type 3 proposed V&V text	WG2	APPROVED
114	C.P0001-F Introduction to cdma2000 Spread Spectrum Systems proposed V&V text	WG2	APPROVED
115	C.P0003-F Medium Access Control (MAC) Standard for cdma2000 Spread Spectrum Systems proposed V&V text	WG2	APPROVED
116	C.P0004-F Signaling Link Access Control (LAC) Standard for cdma2000 Spread Spectrum Systems proposed V&V text	WG2	APPROVED
117	C.P0005-F Upper Layer (Layer 3) Standard for cdma2000 Spread Spectrum Systems proposed V&V text	WG2	APPROVED
118	C.P0097-0 E-UTRAN – cdma2000 1x Connectivity and Interworking Air Interface Specification proposed V&V text	WG2	APPROVED
119	Project number request for C.P0017-010-0 v3.0	WG2	APPROVED R1
120	Proposed correspondence to TSG-X regarding P0037 SMS-to-911	WG2	APPROVED R1
121	WG1/WG2/WG3 review on NIST Cloud Computing Reference Architecture forward from TC CCSC	WG2	APPROVED R1
122	Proposed correspondence to ITU-R WP 5D regarding M.1457-11	WG3	APPROVED
123	Proposed correspondence to WP5D liaison regarding review of ITU-R M.2039	WG3	APPROVED

NUMBER	SUBJECT	SOURCE	ACTION
OPENING PLENARY – C00-20120806-			
* Contribution was remanded in advance to this WG/AdHoc			
124	C.P0002-F Physical Layer Standard for cdma2000 Spread Spectrum Systems proposed V&V text	WG3	APPROVED
125	C.P0044-C Interoperability Specification for cdma2000 Air Interface proposed publication text	WG4	APPROVED
126	C.P0035-A CDMA Card Application Toolkit (CCAT) proposed publication text	WG1	APPROVED
127	C.P0015-C v0.3 Short Message Service (SMS) For Wideband Spread Spectrum Systems proposed V&V text	WG1	APPROVED
128	C.P0048-A v1.03 Mobile Equipment (ME) Conformance Testing with RUIM for cdma2000 Spread Spectrum Standards proposed baseline text	WG1	APPROVED
129	Proposed correspondence to TSG-S regarding TSG-C Review of 3GPP2 WIs	WG1	APPROVED
130	Proposed correspondence to TSG-X regarding ITU-T SG2 LS dated 29 March 2012 regarding assignment of 3 digit MNCs	WG1	APPROVED
131	Proposed correspondence to SC Workshop Planning Ad Hoc regarding Workshop Summary	WG1	APPROVED R1
132	Proposed TSG-C WI TSGC-181	WG1	APPROVED
133	Correspondence to SC Workshop Planning AdHoc dated 9 August 2012 regarding TSG-A review of initial draft of Guangzhou workshop summary	TSG-A	FYI
134	Correspondence to TIA TR45.5 dated 9 August 2012 regarding Approval of TSG-A Specifications for Publication	TSG-A	FYI
135	Proposed correspondence to TIA TR45.5 regarding TIA Legal Comments on C.S0014-E v1.0 EVRC	WG1	APPROVED

1

2

3

TSG-C Meeting Summary – 6-9 August 2012

3GPP2-C00-20121015-002

3GPP2 QUORUM ROLL CALL							
TSG-C (cdma2000 Air Interface)							
Seattle, WA, USA							
9-Aug-12							
INDIVIDUAL MEMBER COMPANY			Consec Mtgs Missed	Voting Status	Quorum Status	Voting Status	Quorum Status
	8/6/2012	8/9/2012	Including this Mtg	This Meeting	This Meeting	Next Meeting*	Next Meeting*
AGILENT TECHNOLOGIES	1		0	1	1	1	1
ALCATEL-LUCENT	1		0	1	1	1	1
APPLIED COMMUNICATION SCIENCES			3	1	1	1	1
CHINA TELECOM	1		0	1	1	1	1
COMPRION	1		0	1	1	1	1
ERICSSON	1		0	1	1	1	1
HITACHI	1		0	1	1	1	1
HUAWEI	1		0	1	1	1	1
KDDI	1		0	1	1	1	1
KYOCERA	1		0	1	1	1	1
LG ELECTRONICS	1		0	1	1	1	1
MOTOROLA MOBILITY	1		0	1	1	1	1
NSN	1		0	1	1	1	1
QUALCOMM	1		0	1	1	1	1
RITCOE			3	0	0	0	0
RITT	1		0	0	0	0	0
ROHDE & SCHWARZ			3	1	1	1	1
SAMSUNG			3	0	0	0	0
SPIRENT COMMUNICATIONS		1	0	0	0	0	0
SPRINT/NEXTEL	1		0	1	1	1	1
VIA TELECOM	1		0	1	1	1	1
ZTE	1		0	1	1	1	1
TOTAL APPLICABLE TO QUORUM	16	0		18	18	18	18
QUORUM CALCULATION	89%	0%					
ADDITIONS							
GUESTS OR OBSERVERS							
ARIB							
CDG	1						

QUORUM STATUS NOTES:
 - HIGHLIGHTED ZERO = Must attend 2 consecutive mtgs to be added to quorum list
 - NON-HIGHLIGHTED ZERO = Will be added to quorum list next mtg if they attend
 P = Letter of Proxy in effect
 * Next Meeting status based on the assumption that the company will be present at the next meeting.